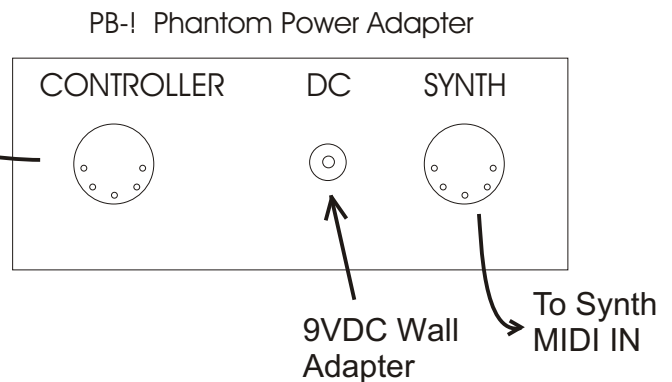


Z7S Rear Panel



Power Connections:

The Z7S can be powered by either
 A) “phantom” power through the MIDI Output cable or
 B) USB from a host computer.

To connect to a MIDI system, attach a MIDI cable [make sure the cable has all five wires connected from end-to-end] from the MIDI Out port on the Z7S to the “Controller” port on the PB-1 Phantom Power Adapter. Press the power switch in the MIDI direction to power up.

To connect to a USB system, attach a standard USB A/B cable from the USB port on the Z7S the USB port on your host computer. Flip the power switch in the USB direction to power up.

String Trigger Gain Adjustments:

You may adjust the gain for each of the String Triggers to achieve a response that is best suited to your playing style. A single-turn trimpot is provided inside the Z7S for each String Trigger which may be accessed through the adjustment slot in the rear panel. A clockwise adjustment provides more gain.